

Ropak Packaging

A MEMBER OF THE LINPAC GROUP OF COMPANIES
 Corporate Office
 P.O. Box 8628, Fountain Valley, CA 92728-8628
 10540 Talbert Ave., Ste. 200W, Fountain Valley, CA 92708-6027
 Tel 714.845.2845 Fax 714.845.2846
 www.ropakcorp.com

Product Specifications

5.0-Gallon Round Container with Lo-Vis EZ Cover®

Multiple Uses

Dry Products
 Liquid Products

Product Codes

Container: **R057**
 Description: 5.0-gallon round can

Cover: **LTGZ**

Description: Tamper-evident, Lo-Vis EZ Cover® with four tabs and tubular gasket

Features

Gauge: 75 mil.
 Nominal capacity: 5.0 USG / 19.0 L
 Stack performance: 400 lbs.*
 Tare weights: Body: 1.62 lbs. / .73 kgs.
 Cover: .58 lbs. / .26 kgs.

Note: *Ratings will be reduced with uneven load distribution.

Specifications with Cover

Dimensions: 12-3/8"D. X 14-11/16"H
 Maximum capacity: 5.6 USG / 21.2 L
 Tare weight: 2.2 lbs. / .99 kgs.

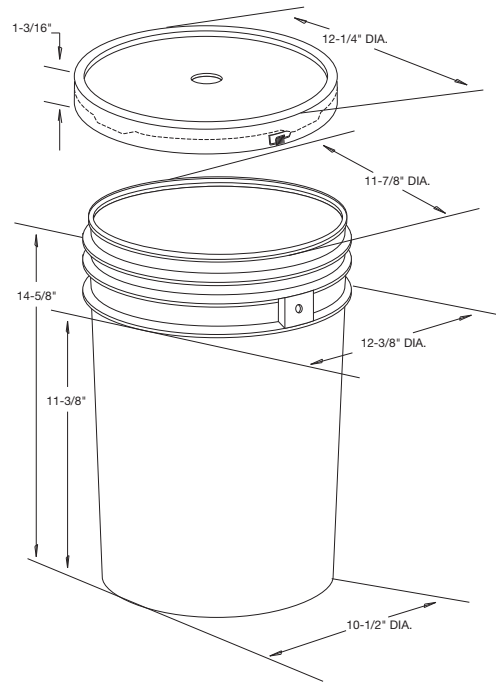
Colors

Standard: White, Black and Natural
 Custom: Available at manufacturer's discretion

Decorating Options

Silk-Screening: 32"W X 8-3/4"H
 Four or six* color offset printing
 Print area: 34"W X 9-1/4"H
 Sleeve or pressure sensitive labeling
 NXT Graphics™

Note: *Where available



Shipping Data

Qty. per pallet/carton:	144	1,152 (24 boxes of 48)*
Gross Weight (lbs./kgs.)**:	233.3/105.1	668.2/299.5
Den. (lbs./C.F./kgs./m3):	4.4/70	5.5/86.6
Length (in./cm.):	49.3/125.2	52/132.1
Width (in./cm.):	37.5/95.3	40/101.6
Height (in./cm.):	49.5/125.7	101.5/257.8
Estimated truckload quantity of 6,336 bodies and covers***		

Bodies

Covers

Filled Containers

36 (12 per layer / 3 layers high)
 Pallet height: 48.8"

Notes: *Bulk pack also available

**Weight does not include pallet/packaging

***Truckload quantity based on 53' trailer

Materials

FDA approved materials
 Resin: Body: Polypropylene (PP)
 Cover: High-Density Polyethylene (HDPE)
 Styrene Butadiene Rubber (SBR) Gasket
 MSDS Sheets available upon request

Optional Carrying Handle

F.O.B. – ROPAK Facilities